

VAISHAL PATLIPUTRA DUGDH UTPADAK SAHKARI SANGH LTD

PATNA DAIRY PROJECT

Feeder Balancing Dairy Complex, Phulwarisharif, Patna – 801505

Phone – 0612-2252553, 2252542, 2251622, Fax-2250325

Email :- vpmu.pur@gmail.com

PDP: PUR: 4381

Dated: 26.10.2021

TENDER NOTICE

Sealed Tender is invited from experienced party for **civil work for construction of open Drain Line for CIP & Toilet of old dairy Plant and nala low land filling works at Hajipur Dairy, Hajipur**. The details scope of work as per BOQ and diagram & Map is attached herewith.

Interested parties may submit their quotation latest by 15.11.2021 by 5.00 pm in sealed envelope addressed to Managing Director, VPDUSS Ltd., Patna super scribing on the top of the envelope "construction of open Drain Line for CIP & Toilet of old dairy Plant and nala low land filling works at Hajipur Dairy, Hajipur."

Bidder must be registered for civil work in Bihar Govt or COMFED, Patna.


26.10.21
Manager (MM)

Enclosure: As above

Note: 1) The rate should be all inclusive FOR FBD
2) All the legal document i.e. Photo, ID Proof
Service Tax papers, etc (Xerox is to be enclosed)

CC: Notice Board, FBD, CFF, HCC
Patnadairy.org

BILL OF QUANTITIES

WORK : CONSTRUCTION OF OPEN DRAIN LINE for CIP & Toilet of old dairy plant and nala low land filling works AT HAJIPUR DAIRY HAJIPUR

SL.	BSOR-	DESCRIPTION OF ITEM	UNIT	QUANTITY	RATE	AMOUNT
1	2.8	Earth work in excavation in foundation trenches or drains(not exceeding 1.5 m in width or 10 sqm on plan) including dressing of sides and ramming of bottoms, lift upto 1.5 m . including getting out the excavated soil and disposal of surplus excavated soil as directed. within a lead of 50 m.				
	2.8.1	All Kinds of soil cum	Cum.	156.51	360.70	56,453.16
2	2.26	Filling available excavated earth (excluding rock) in trenches, plinth, sides of foundations etc. in layers not exceeding 20cm in depth, consolidating each deposited layer by ramming and watering, lead up to 50 m and lift upto 1.5 m.	Cum.	128.64	116.50	14,986.53
3	11.72	Providing designation 100 A one brick flat soling joints filled with local sand including cost of watering, taxes, royalty all complete as per building specification and direction of E/I,	Cum.	46.04	285.20	13,130.61
4	4.1	Providing and laying in position cement concrete of specified grade excluding the cost of centring and shuttering-all work up to plinth level.				
5	4.1.4	1:2:4 (1 Cement; 2 coarse sand :4 graded stone aggregate 40 mm nominal size)	Cum	4.464	3832.50	17,108.28
6	2.28	Supplying and Filling in plinth with local sand and under floors including, watering, ramming consolidating and dressing complete.	Cum.	367.953	281.40	103,542.04
7	5.1	Providing and laying in position specified grade of reinforced cement concrete excluding the cost of centring,shuttering,finishing and reinforcement-All work upto plinth level				
8	5.1.2	RCC WORK with 1:1.5:3(1 cement:1.5 coarse sand:3 graded stone aggregate) excludig the cost of centering and shuttering,finishing and reinforcement upto plinth level	Cum	5.90	4630.90	27,322.31
9	5.9	Centring and shuttering including strutting, propping etc. and				
10	5.9.1	Foundations, footings, bases of columns etc. for mass concrete.	Sqm.	17.16	203.00	3,482.97
	6.1A	Brick work with bricks of class designation 100A in foundations and plinth in :				
11	6.1.14A	Cement mortar 1:6 (1 cement: 6 coarse sand)	Cum	19.570	4849.20	94,898.84
12	5.22	Reinforcement for R.C.C. work including straightening, cutting, bending, placing in position and binding all complete.				
13	5.22.7A	Thermo-Mechanically Treated bars TMTC-500- 8mm dia.	Kg.	74.66	70.60	5,271.00
14	5.22.7B	Thermo-Mechanically Treated bars TMTC-500- 10mm dia.	Kg.	64.81	69.20	4,484.85
15	5.22.7C	Thermo-Mechanically Treated bars TMTC-500- 12mm dia.	Kg.	26.67	67.60	1,802.89
16	13.17.2	12 mm cement plaster 1:4(1 cement :4 Coarse sand) finished with a floating coat of neat cement	Sqm.	78.30	183.60	14,375.88
17	19.6.4	Providing and laying non pressure NP2 CLASS(LIGHT DUTY) RCC pipes of 300 MM DIA.with collars jointed with stiff mixture of cement mortar in the proportion of 1:2(1 cement : 2 fine sand) including testing of joints etc. complete	Mtr	57.00	757.00	43,149.00
18	19.35.1	Providing and laying non pressure NP3CLASS(Medium DUTY) RCC pipes of 450 MM DIA.with collars jointed with stiff mixture of cement mortar in the proportion of 1:2(1 cement : 2 fine sand) including testing of joints etc. complete	Mtr	6.50	2152.30	13,989.95
19	15.46.1	Dismantling steel cylinder RC pipes including excavation and refilling trenches after laking out the pipes,breaking lead caulked joints,melting of lead and making into blocks including stacking the pipes,lead at site within 50 meters lead	Mtr	17.00	279.70	4,754.90
20	15.7.4	Demolishing brick work in cement mortar including stacking of serviceable material and disposal of unserviceable material within 50 meters lead	Cum	1.13	773.50	870.19

Section - 9.0 CARRIAGE OF MATERIALS & Difference of Cost of Materials					
21	i	Carriage of Materials			
21.1	a	Graded Stone aggregate 175 km.	Cum.	8.809	2523.10
21.2	b	Coarse sand 45km.	Cum.	10.845	794.94
21.3	c	Bricks 8km	1000No.	11.154	899.20
21.4	d	Reinforcement (Steel) 1 km.	Tonne	0.166	214.70
21.5	e	Cement 1 km.	Tonne	4.994	214.70
21.6	f	Local sand	Cum	367.953	297.66
22	II	Difference of Cost of Materials			
22.1	1	Bricks	1000No.	11.154	326.60
22.2	2	Cement	Tonne	4.994	207.00
GRAND TOTAL (Say)					Rs.
					575,811

Rs Five Lakh Seventy Five Thousand Eight Hundred Eleven only

I AGREE & READY TO DO THIS WORK

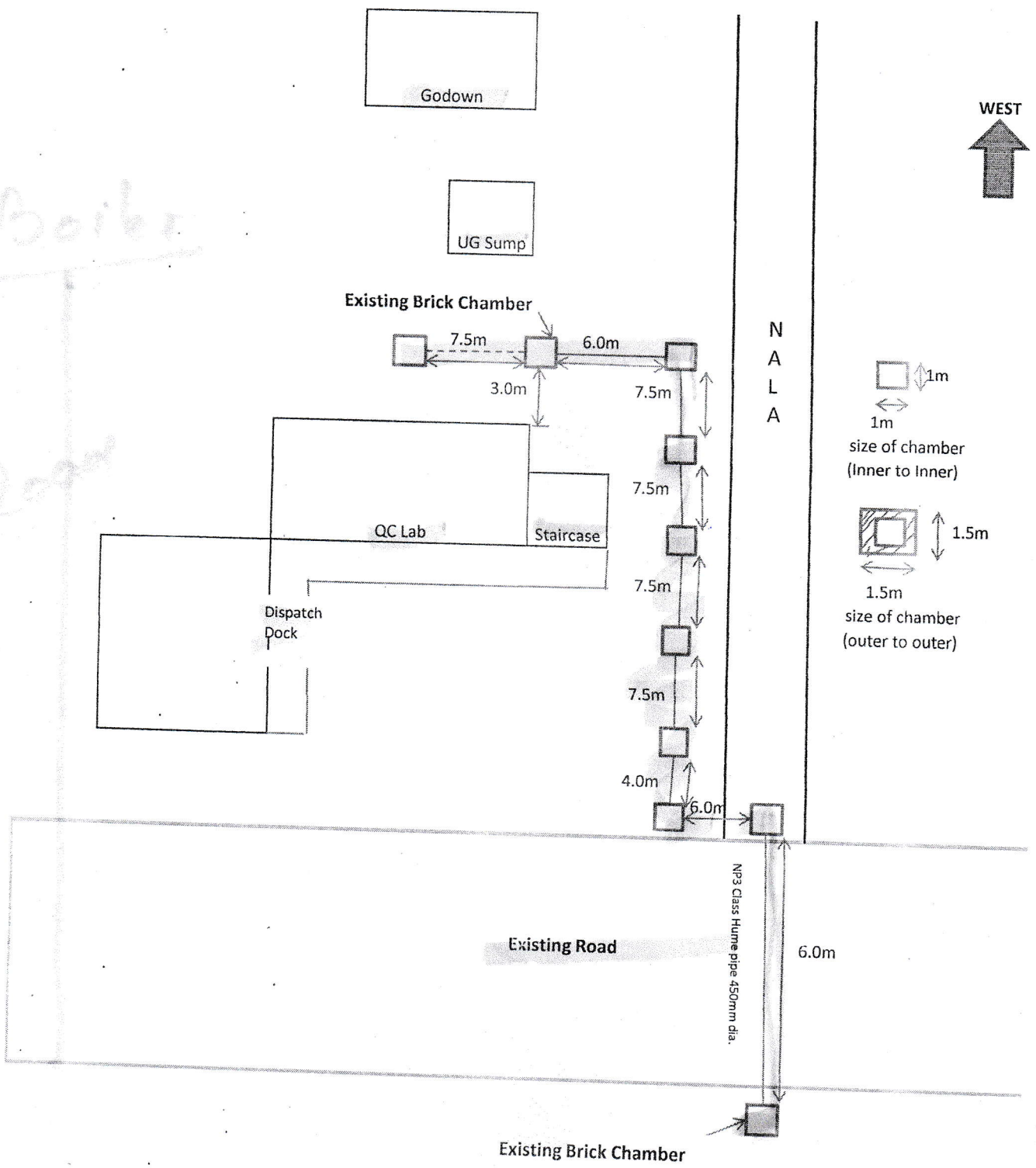
		In Numeric value(%)	In words
1.0	ON THE GIVEN B.O.Q RATE		
2.0	ABOVE THE B.O.Q RATE(PRESENT)		
3.0	BELOW THE B.O.Q RATE(PRESENT)		



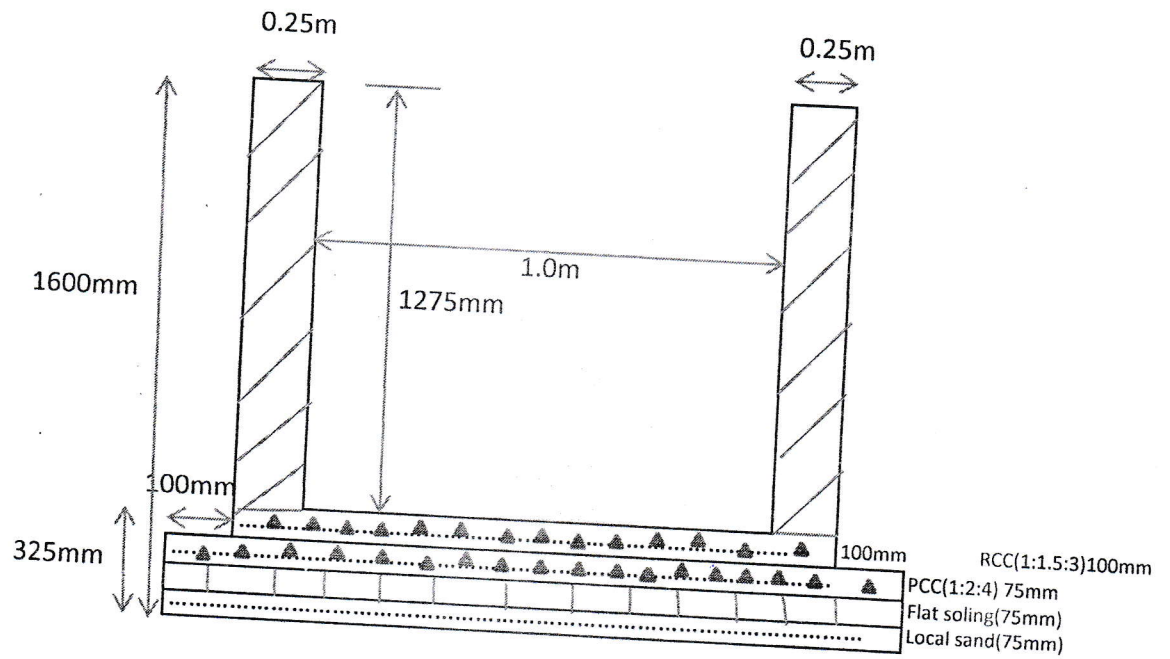
Signature of client with seal

Signature of contractor with seal

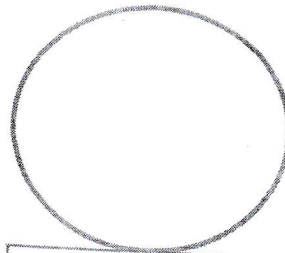
LAYOUT OF PROPOSED NEW DRAIN LINE FOR OLD DAIRY CIP SECTION at Hajipur Dairy



C/S VIEW OF DRAIN CHAMBER



C/S VIEW OF LAYING OF HUME PIPE



PCC(1:2:4)125MM
Flat Soling(75mm)
Local sand(75mm)